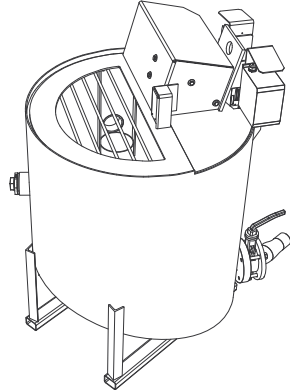
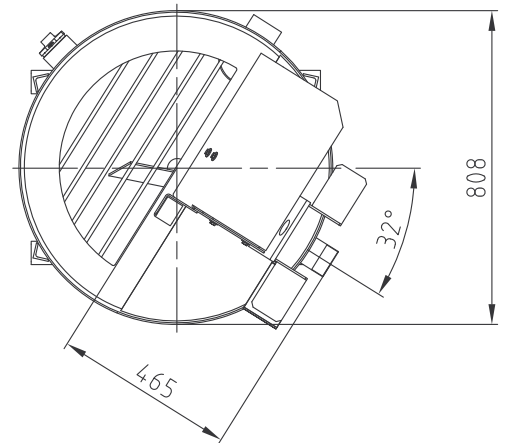
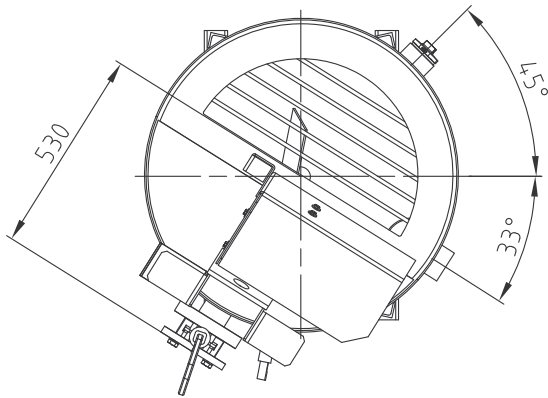
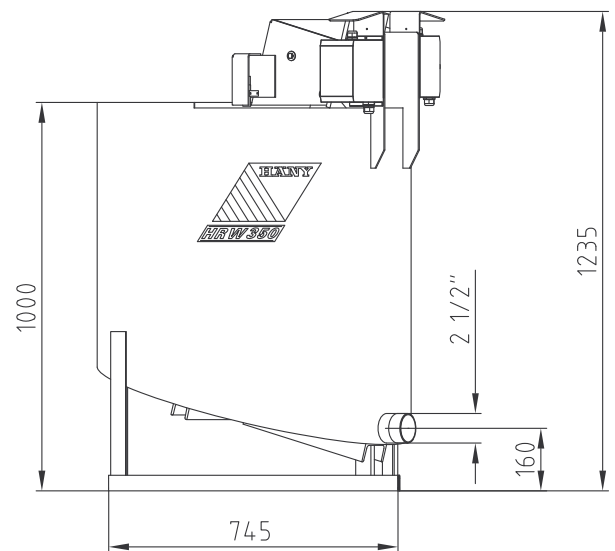
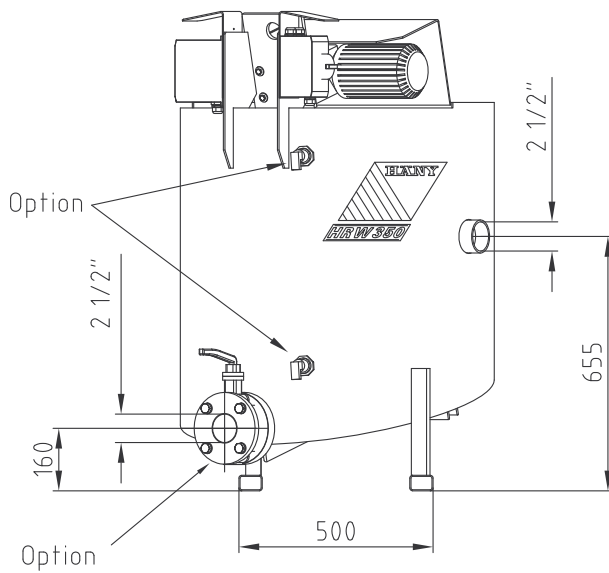


Data sheet



HRW 350

Usable content	l	350
Electric motor	50 Hz kW	0.55/1.1
	60 Hz kW	0.66/1.3
Agitator speed	50 Hz min ⁻¹	47
	60 Hz min ⁻¹	56
Weight	kg	155



Hány AG reserves the right to make improvements and modifications to their equipment without notice.

GROUTING SYSTEMS



AGITATOR HRW 350

The agitator HRW 350 is used as storage tank between a batch mixer, such as the HCM, and the grout pump for continuous operation. The stirring paddle prevents the grout from settling out of suspension and removes any air bubbles from the mix. The slanting stirring paddle together with a special arrangement of the paddle blades ensure complete circulation of the tank content. A safety switch turns off the agitator whenever the tank cover is removed.

ACCESSORIES:

LEVEL PROBES 1", "FULL - EMPTY"
for the operation in automated plants

GROUTING SYSTEMS

HÄNY

